

Practical Range Sensing with Thermal Light

Peng Kian Tan,^{1,*} Xi Jie Yeo,¹ Alvin Zhen Wei Leow,¹ Lijiong Shen,¹ and Christian Kurtsiefer^{1,2}

¹*Centre for Quantum Technologies, 3 Science Drive 2, Singapore 117543*

²*Department of Physics, National University of Singapore, 2 Science Drive 3, Singapore, 117542*

(Dated: July 15, 2023)

Many quantum sensing suggestions rely on temporal correlations found in photon pairs generated by parametric down-conversion. In this work, we show that the temporal correlations in light with a thermal photon statistics can be equally useful for such applications. Using a sub-threshold laser diode as an ultrabright source of thermal light, we demonstrate optical range finding to a distance of up to 1.8 km.

I. INTRODUCTION

Quantum sensing uses quantum phenomena to improve the measurements of physical parameters and can be implemented in photonic, atomic or solid-state systems [1]. Photonic quantum sensing techniques include ghost imaging and super-resolution imaging [2]. Many photonic quantum sensing schemes rely on photon pairs generated in spontaneous parametric down-conversion (SPDC) [3] that can be entangled in several degrees of freedom, but most often make use of the temporal correlation between the photons [4]. Examples are range finding [5], illumination [6], and clock synchronization [7] schemes, where quantum light sources have an advantage of being stationary, and therefore carrying no obvious timing structure that may be subject to manipulation or eavesdropping. Furthermore, sensing schemes with modulated light sources may be susceptible to optical cross-talk [8], while sensing based on time-correlated light from non-modulated sources cannot be reproduced.

In this work, we consider thermal light an alternative resource of time-correlated photons by utilizing its photon bunching property. This bunching behaviour has been used to determine the length of optical fibers by time delay measurements [9]. We demonstrate range sensing using a relatively simple thermal light source based on a sub-threshold diode laser. The resulting spectral density of this source exceeds that of SPDC sources by approximately 10 orders of magnitude. As the luminosity of SPDC-based photon pair sources is typically limited to nanowatts, such thermal light sources can substantially increase the signal in range sensing applications where temporal correlations in non-modulated light sources are used.

II. TIME-CORRELATED PHOTON PAIRS

Photonic sensing applications often make use of modulated light sources and seek for correlations of a returned signal with the modulation. In an attempt of moving to

low light levels, one can make use of inherent temporal correlations found in photon pairs emerging from SPDC in three- or four-wave mixing processes. These processes generate pairs of photons that exhibit a strongly peaked second order correlation function $g^{(2)}(\tau) = f(\tau/\tau_c)$, which characterizes a probability to observe a pair at a time separation τ . The function f is strongly peaked around $\tau = 0$ (with a spread on the order of a coherence time τ_c), and can be observed in specialized quantum light sources. Sensing applications based on this effect are carried out by measuring detection time differences between one photon acting as a reference, and the other one acting as a probe.

A more natural type of light is thermal light. Thermal light, such as blackbody radiation, exhibits a characteristic temporal photon bunching behavior [10], also known as the Hanbury-Brown-Twiss effect [11]. This can also be described by a peaked second-order timing correlation,

$$g^{(2)}(\tau) = 1 + e^{-2|\tau|/\tau_c}, \quad (1)$$

where τ is again the timing separation of the two photodetection events, and τ_c is the coherence timescale of the temporal photon bunching where thermal photons have a tendency to be detected closer together than described by Poissonian statistical timing distribution. Similar to light generated by SPDC, the coherence timescale τ_c is inversely proportional to the spectral width $\Delta f \approx c\Delta\lambda/\lambda^2$ of the thermal light, which is given by the Fourier transform of the source power spectrum [12], such that $\Delta f = 1/\tau_c$ for single-line Gaussian spectrum. Here, λ is the central wavelength of the light, $\Delta\lambda$ the wavelength spread, and c the speed of light.

An important practical consideration for sensing applications is the brightness of the correlated light source. As shown in Fig. 1, SPDC light sources generate an output power below a nanowatt, or in the range of 10^4 to 10^9 photoevents per second. This limits the practicality of SPDC light-based sensing in environments with high attenuation or return loss. Another important property in a temporal correlation measurement is the accuracy that can be practically used to infer e.g. a time-of-flight for one of the photons. Timing uncertainties of semiconductor-based single-photon detectors are somewhere below a nanosecond, but more recent nanowire-based detectors may reach a few picoseconds. When

* cqttpk@nus.edu.sg

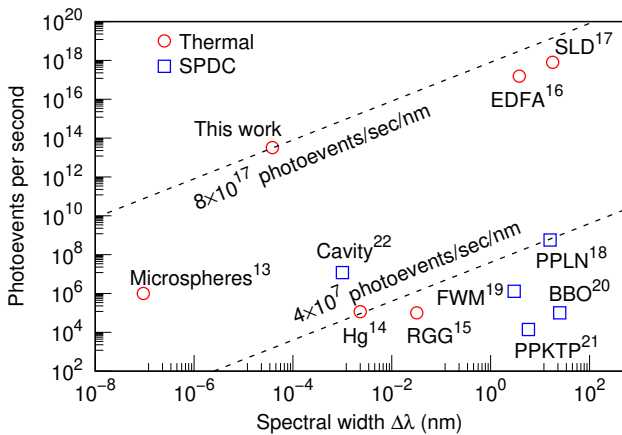


FIG. 1. Spectral densities of thermal and SPDC light sources based on: Microspheres[13] – suspension of microspheres, Hg[11, 14] – Mercury discharge lamp, RGG[9, 15] – rotating ground glass, EDFA[16] – Erbium-doped fiber amplifier, SLD[17] – superluminescent diode, PPLN[18] – periodically poled Lithium Niobate, FWM[19] – four-wave mixing, BBO[20] – Beta-Barium Borate, PPKTP[21] – periodically poled Potassium Titanyl Phosphate, Cavity[22] – enhancement by microring resonator.

identifying the temporal correlation feature in thermal light, however, it is necessary that the correlation peak is still detectable. If the coherence time of the thermal light is significantly smaller than the detector timing uncertainty, the visibility of the temporal correlation washes out and may make it impossible to identify it on top of the Poissonian background. It is therefore desirable to use thermal light sources with a spectral width below ≈ 1 GHz.

Thermal light with such a narrow optical bandwidth has been generated in many different ways. Early examples include single emission lines of gas discharge lamps [11]. Other methods involve transmitting laser light through random dispersion media such as suspension of microspheres [13], or a rotating ground glass plate [15]. These sources, however, have either relatively low output power due to the spatial incoherence of the randomization mechanism, or (e.g. in the case of rotating ground glass modulators) a relatively long coherence time.

Here, we use a laser diode operating below the lasing threshold [23, 24] to generate thermal light [25, 26]. This amplified spontaneous emission process generates significantly higher output power in the range of $10 \mu\text{W}$ to 100mW . Light sources of a similar category include superluminescent diodes, and Erbium-doped fiber amplifiers. These examples tend to have spectral densities above milliwatts per nanometer.

The diode laser we use (nominal lasing wavelength $\lambda = 518 \text{nm}$, single spatial mode output) shows a lasing threshold current around 33mA (see Fig. 2), where the output power exhibits a sharp increase of 3 orders of magnitude, and the spectrum narrows to a single emis-

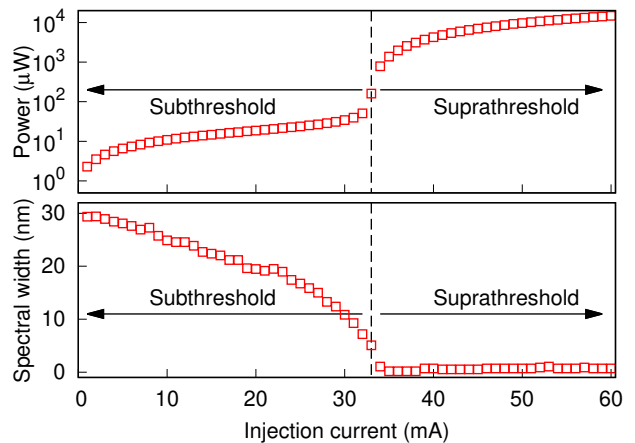


FIG. 2. Output power and spectral width $\Delta\lambda$ of a laser diode as a function of its injection current to determine the lasing threshold.

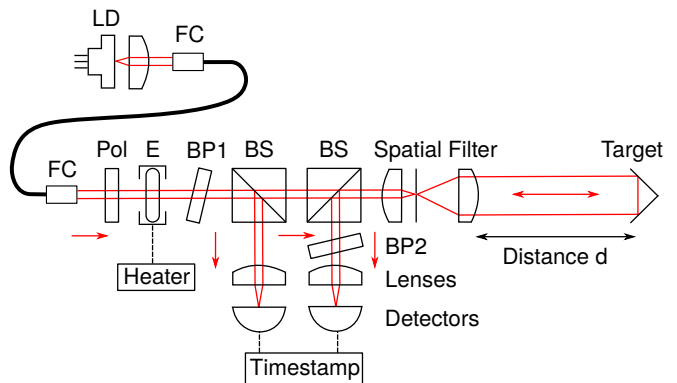


FIG. 3. Experimental setup using thermal light for ranging measurements. LD: laser diode, FC: Fiber coupler, Pol: polarizer, E: etalon, BP1, BP2: bandpass filters, BS: beamsplitter.

sion line, limited by the grating spectrometer to about 0.3nm . We operate the diode laser at a subthreshold current of 32.9mA , where it exhibits the photon bunching behavior that is characteristic of thermal light. The light is then coupled into a single spatial mode optical fiber. We observe an optical power of $12.5 \mu\text{W}$, corresponding to a photon rate $R \approx 3.3 \times 10^{13} \text{s}^{-1}$, within a spectral window of $\Delta f = 43 \text{MHz}$. This results in a thermal light source of extremely high spectral brightness of about 8×10^{17} photoevents per second and nanometer.

III. RANGE SENSING SETUP

The stationary thermal light generated from a subthreshold laser diode is implemented into an optical ranging setup based on time-of-flight measurements, commonly known as light distance and ranging (lidar) (see Fig. 3). While conventional lidar introduces timing mod-

ulation [8, 27] into the intensity, amplitude, or phase of the light source, to provide timing correlations, this work relies on photon bunching of thermal light to provide the timing correlations. We do record the photodetection events with a high timing resolution to obtain the temporal photon bunching signature $g^{(2)}(\tau)$ similar to [28].

To ensure that we select only a single chip mode of thermal light from the sub-threshold laser diode, a combination of a polarization filter, a bandpass filter (BP1 in Fig. 3) and a temperature-tuned etalon is used. The etalon is based on a fused silica (Suprasil311) substrate and has a tuning parameter of 4 GHz/K for its resonances. Optical coatings with a reflectivity of 97% on both sides result in a finesse of 103. The plano-parallel substrate has a thickness of 0.5 mm, resulting in a free spectral range of about 205 GHz, and spectral transmission windows of 2 GHz full width at half maximum (FWHM) [29]. This allows to effectively to suppress adjacent laser diode chip modes which are separated by about 50 GHz from the mode used. The bandpass interference filter BP1 has a 2 nm wide passband centered at $\lambda = 518$ nm to suppress source light beyond the free spectral range of the etalon.

An asymmetric beamsplitter directs 92% of the filtered thermal light into the probe beam and retains 4% as a local reference beam sent to a first single photon detector.

The spectrally filtered thermal light beam passes through a 50:50 beamsplitter and a telescope formed by a lens pair ($f=50$ mm, $f=300$ mm) around a spatial filter, and is expanded to a diameter of about 50 mm. The probe beam returns from the target reflector through the same telescope and beamsplitter onto the probe photodetector. The spatial filter cleans up the returning probe beam and reduces ambient light contribution from reaching the detectors, and the use of a second beamsplitter ensures that no breakdown flash light from the target detector can reach the reference photodetector. A second band pass filter BP2 is used to suppress ambient light reaching the probe detector.

The $g^{(2)}(\tau)$ photon bunching peak is shifted by a time $\tau_0 = 2d/c$ in its timing position, corresponding to the optical path length difference between probe and reference beam, thus allowing to infer the distance d of a target retroreflector from the peak position of $g^{(2)}(\tau)$.

Both single photon detectors are actively quenched Silicon avalanche photodiodes with a quantum efficiency about 50% at 550 nm, and a timing jitter around 40 ps. The detected photoevents are timestamped by an oscilloscope with (sampling rate 40 GSPS), and time differences were histogrammed into 40 ps wide time bins for short distances d , or recorded with an FPGA-based timestamp device with a resolution of 2 ns and sorted into 2 ns wide time bins numerically for long distances d .

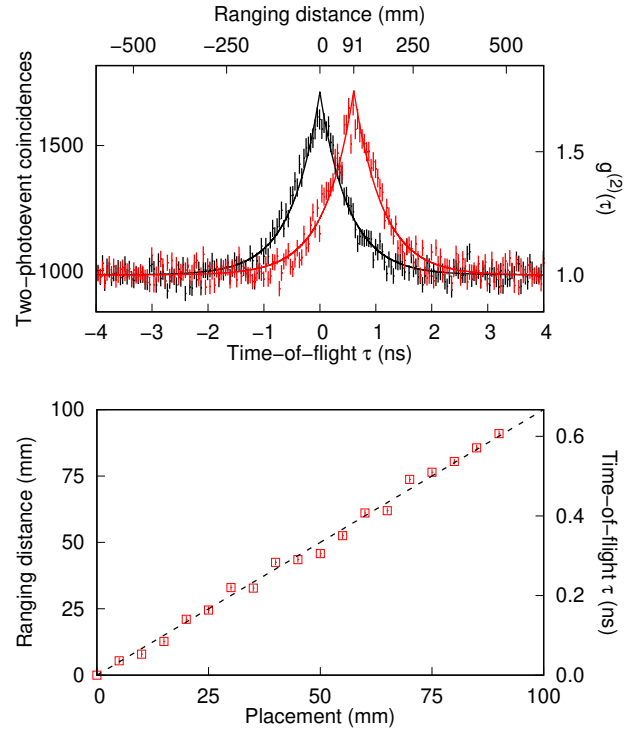


FIG. 4. [Top]: Photon bunching $g^{(2)}(\tau)$ measurements with the target reflector placed at 0 mm (black) and 90 mm (red). The solid line represents a fit to Eqn. 1 resulting in $\tau_c = 1.03 \pm 0.03$ ns, a peak displacement of $\tau_0 = 0.606 \pm 0.008$ ns corresponding to a ranging distance of $d = 91.0 \pm 1.2$ mm, with a reduced χ^2 of 1.19. [Bottom]: Ranging distances extracted from fits to the bunching signatures as a function of the placement positions to test for distance resolution.

IV. RANGE SENSING DEMONSTRATIONS

Figure 4 shows two representative time difference histograms together with a fitted second-order timing correlation function $g^{(2)}(\tau)$ according to Eqn. 1. These allow to determine the positions τ_0 of their respective bunching peaks and the corresponding ranging distances d from the round trip time of the probe beam for a set of target placement positions (Fig. 4, bottom trace). The resulting ranges are in good agreement with their corresponding target placement positions, and compatible with a constraint in the detector timing jitter (about 40 ps FWHM).

To demonstrate the robustness of the ranging setup, we conducted two outdoor field measurements. Figure 5 shows two long-range time-of-flight measurements together with a reference zero position (black trace), resulting in the ranging distances of 965.29 ± 0.02 m (blue) and $1,851.48 \pm 0.02$ m (red) fitted to Eqn. 1 with reduced χ^2 of 1.09 and 1.05, respectively, under the assumption of a unit refractive index of air. The increased uncertainty compared to the short range measurements shown in Fig. 4 are due to the more coarse histogramming for this experiment.

For the long distance measurements, the etalon tem-

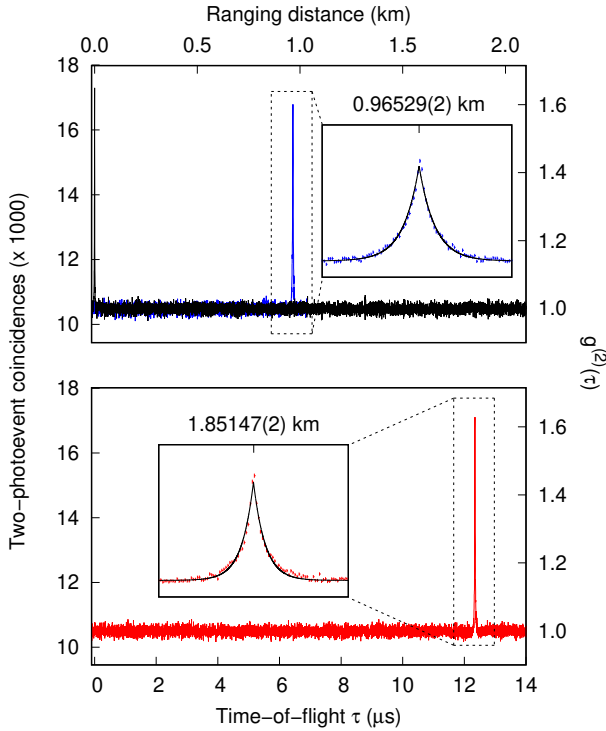


FIG. 5. Optical ranging measurements to the reference zero distance position with the retroreflector placed at the telescope aperture (top, black trace), and the signal obtained with a retroreflector about 1 km away (top, blue trace). The bottom trace shows the bunching signature with the target retroreflector located about 1.8 km away from the reference detector.

perature tuning and stability was improved relative to the measurements in Fig. 4, increasing the coherence timescale $\tau_c = 23.2 \pm 0.4$ ns (red), corresponding to a spectral linewidth $\Delta f = 43$ MHz.

The temporal photon bunching peak (red) is slightly reduced to $g^{(2)}(\tau = 0) = 1.591 \pm 0.009$ (red) due to an increase of the bin width from 40 ps to 2 ns for the time differences, and by noise contribution from ambient light to the probe detector.

The detection rate at the probe detector was fluctuating around 10^5 s $^{-1}$. With the emission rate of $R \approx 3.3 \times 10^{13}$ s $^{-1}$, this corresponds to a return loss of 80 to 90 dB in that experiment.

V. SIGNAL-TO-NOISE CONSIDERATIONS

The very high spectral density of our light source helps to increase the signal-to-noise ratio [30, 31] of a bunch-

ing peak detection significantly. When photodetectors are fast enough to resolve the temporal coherence τ_c of the photon bunching signature, the signal-to-noise ratio (SNR) of the second order correlation function $g^{(2)}(\tau)$ will be dominated by shot noise of the photodetection events, and can be described by

$$\text{SNR} = r \cdot V^2 \sqrt{\tau_c \cdot \Delta T}, \quad (2)$$

with the photoevent rate r , the interferometric visibility $V = \sqrt{g^{(2)}(0) - 1}$, the coherence time τ_c , and the integration time ΔT .

With a photon bunching peak value $V^2 = 0.6$ and a coherence timescale $\tau_c = 23$ ns, which corresponds to the measured values in Fig. 5, an upper bound for the signal-to-noise ratio of around 30 can already be achieved after an integration time $\Delta T = 1$ ms at a photodetection rate of $r = 10^7$ s $^{-1}$ given by typical avalanche photodetector saturation. This high tolerance to attenuation provides the thermal light source an advantage over SPDC light sources in practical sensing use-cases where significant losses can be expected.

VI. SUMMARY

This work explored the use of thermal light for applications where measurements (like range finding) are based on detecting correlations in time. Sub-threshold lasers with their intrinsic temporal correlations thus provide a powerful alternative to light sources based on spontaneous parametric down-conversion in quantum sensing applications, and may offer superior signal-to-noise ratios at a much reduced system complexity.

With such light sources, a technique originally used for estimating the size of stars half a century ago can boost a wide range of practical quantum sensing applications that mostly rely on temporal correlations.

ACKNOWLEDGMENTS

This research is supported by the Quantum Engineering Programme through grants QEP-P1 and NRF2021-QEP2-03-P02, the National Research Foundation, Prime Minister's Office, Singapore.

[1] S. Pirandola, B. R. Bardhan, T. Gehring, C. Weedbrook, and S. Lloyd, Advances in photonic quantum sensing,

Nat. Photonics **12**, 724 (2018).

[2] P.-A. Moreau, E. Toninelli, T. Gregory, and M. J. Pad-

- gett, Imaging with quantum states of light, *Nature Reviews Physics* **1**, 367 (2019).
- [3] R. Ghosh and L. Mandel, Observation of nonclassical effects in the interference of two photons, *Phys. Rev. Lett.* **59**, 1903 (1987).
- [4] A. S. Clark, M. Chekhova, J. C. F. Matthews, J. G. Rarity, and R. F. Oulton, Special topic: Quantum sensing with correlated light sources, *Appl. Phys. Lett.* **118**, 060401 (2021).
- [5] S. Frick, A. McMillan, and J. Rarity, Quantum rangefinding, *Opt. Express* **28**, 37118 (2020).
- [6] E. D. Lopaeva, I. R. Berchera, I. P. Degiovanni, S. Olivares, G. Brida, and M. Genovese, Experimental realization of quantum illumination, *Phys. Rev. Lett.* **110**, 153603 (2013).
- [7] C. Ho, A. Lamas-Linares, and C. Kurtsiefer, Clock synchronization by remote detection of correlated photon pairs, *New J. Phys.* **11**, 045011 (2009).
- [8] S. Royo and M. Ballesta-Garcia, An overview of lidar imaging systems for autonomous vehicles, *Appl. Sci.* **9**, 4093 (2019).
- [9] J. Zhu, X. Chen, P. Huang, and G. Zeng, Thermal-light-based ranging using second-order coherence, *Appl. Opt.* **51**, 4885 (2012).
- [10] R. Glauber, The quantum theory of optical coherence, *Phys. Rev.* **130**, 2529 (1963).
- [11] R. Hanbury-Brown and R. Q. Twiss, Correlation between photons in two coherent beams of light, *Nature* **177**, 27 (1956).
- [12] M. Fox, *Quantum Optics: An Introduction* (Oxford University Press, UK, 2006).
- [13] D. Dravins, T. Lagadec, and P. D. Nun̄ez, Optical aperture synthesis with electronically connected telescopes, *Nat. Commun.* **6**, 6852 (2015).
- [14] P. K. Tan, A. H. Chan, and C. Kurtsiefer, Optical intensity interferometry through atmospheric turbulence, *MNRAS* **457**, 4291 (2016).
- [15] F. T. Arecchi, Measurement of the statistical distribution of gaussian and laser sources, *Phys. Rev. Lett.* **15**, 912 (1965).
- [16] P. Janassek, A. Herdt, S. Blumenstein, and W. Elsaber, Ghost spectroscopy with classical correlated amplified spontaneous emission photons emitted by an erbium-doped fiber amplifier, *Appl. Sci.* **8(10)**, 1896 (2018).
- [17] A. T. M. A. Rahman and P. F. Barker, Optical levitation using broadband light, *Optica* **7(8)**, 906 (2020).
- [18] Z. Zhang, S. Mouradian, F. N. C. Wong, and J. Shapiro, Entanglement enhanced sensing in a lossy and noisy environment, *Phys. Rev. Lett.* **114**, 110506 (2015).
- [19] D. G. England, B. Balaji, and B. J. Sussman, Quantum-enhanced standoff detection using correlated photon pairs, *Phys. Rev. A* **99**, <https://doi.org/10.1103/PhysRevA.99.023828> (2019).
- [20] A. Lohrmann, A. Villar, A. Stolk, and A. Ling, High fidelity yield stop collection for polarization-entangled photon pair sources, *Appl. Phys. Lett.* **113**, 171109 (2018).
- [21] Y.-C. Jeong, K.-H. Hong, and Y.-H. Kim, Bright source of polarization-entangled photons using a ppktp pumped by a broadband multi-mode diode laser, *Opt. Express* **24(2)**, 1165 (2016).
- [22] T. J. Steiner, J. E. Castro, L. Chang, Q. Dang, W. Xie, J. Norman, J. E. Bowers, and G. Moody, Ultrabright entangled photon pair generation from an algaas on insulator microring resonator, *Phys. Rev. X Quantum* **2**, 010337 (2021).
- [23] M. G. A. Bernard and G. Duraffourg, Laser conditions in semiconductors, *Physica Status Solidi B* **1**, 699 (1961).
- [24] G. Lasher and F. Stern, Spontaneous and stimulated recombination radiation in semiconductors, *Phys. Rev.* **133** (1964).
- [25] W. Shockley and J. W. T. Read, Statistics of the recombinations of holes and electrons, *Phys. Rev.* **87** (1952).
- [26] D. T. Cassidy, Spontaneous-emission factor of semiconductor diode lasers, *JOSA B* **8**, 747 (1991).
- [27] G. Beheim and K. Fritsch, Range finding using frequency-modulated laser diode, *Appl. Opt.* **25**, 1439 (1986).
- [28] P. K. Tan and C. Kurtsiefer, Temporal intensity interferometry for characterization of very narrow spectral lines, *MNRAS* **469**, 1617 (2017).
- [29] P. K. Tan, G. H. Yeo, H. S. Poh, A. H. Chan, and C. Kurtsiefer, Measuring temporal photon bunching in blackbody radiation, *ApJL* **789**, L10 (2014).
- [30] R. Hanbury-Brown, *The Intensity Interferometer: Its Application To Astronomy* (Taylor & Francis ; Halsted Press, London ; New York, 1974) p. 184.
- [31] C. Foellmi, On the intensity interferometry and the second-order correlation function $g^{(2)}$ in astrophysics, *A&A* **507**, 1719 (2009).