

Hong-Ou-Mandel interference between triggered and heralded single photons from separate atomic systems

Victor Leong,^{1,2} Sandoko Kosen,^{1,2} Bharath Srivathsan,¹ Gurpreet Kaur Gulati,¹ Alessandro Cerè,¹ and Christian Kurtsiefer^{1,2}

¹Center for Quantum Technologies, 3 Science Drive 2, Singapore 117543

²Department of Physics, National University of Singapore, 2 Science Drive 3, Singapore 117542

(Dated: August 13, 2016)

We present Hong-Ou-Mandel interference of single photons generated via two different physical processes by two independent atomic systems: scattering by a single atom, and parametric generation via four-wave mixing in a cloud of cold atoms. Without any spectral filtering, we observe a visibility of $V = 62 \pm 4\%$. After correcting for accidental coincidences, we obtain $V = 93 \pm 6\%$. The observed interference demonstrates the compatibility of the two sources, forming the basis for an efficient quantum interface between different physical systems.

I. INTRODUCTION

Hong-Ou-Mandel (HOM) interference [1] takes place when two indistinguishable photons arrive simultaneously at the two inputs of a 50:50 beam splitter, making them leave together from the same output port [2]. It provides a fundamental primitive for the coherent interfacing of separate quantum systems via their emitted photons [3] as an alternative to their direct interaction [4, 5]. It is the basis of quantum teleportation [6–8] and entanglement swapping [9, 10].

Initially developed as a sensitive tool for timing measurements, this effect has been used for connecting separated copies of the same quantum systems with photons: nonlinear crystals [11–13], neutral atoms [14, 15], with a particularly high visibility between two ⁸⁷Rb atoms [16], quantum dots [17, 18], NV centers in diamond [19], single molecules [20, 21], atomic ensembles [22], trapped ions [23], and superconducting qubits [24]. In order to observe the HOM interference, two photons must be indistinguishable in all degrees of freedom. The use of identical sources ensures the matching of the temporal shape and bandwidth of the generated photons, allowing for very high visibility when the sources are accurately synchronized.

There are still few experimental demonstrations of HOM interference with single photons originating from different physical processes: a single quantum dot and parametric down-conversion in a nonlinear crystal [25], and different parametric effects in nonlinear optical materials [26]. These two demonstrations rely on spectral filtering in order to match the temporal shape and the bandwidth of the generated photons.

II. IDEA

In this work, we demonstrate the compatibility of two single photon sources based on ⁸⁷Rb which generate single photons via two different physical processes: scattering from a single atom (SA) in free space, and heralding on photon pairs prepared by parametric conversion using

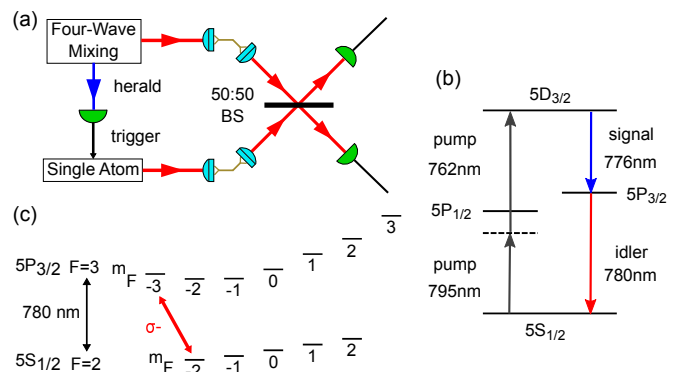


FIG. 1: (Color online) (a) Schematic representation of the Hong-Ou-Mandel experiment. Heralded photons from pairs generated by four-wave mixing in an atomic ensemble interfere with single photons generated by a single atom after heralding on a 50:50 beam splitter, and are detected by avalanche photodiodes at the outputs. (b) Simplified level scheme of the FWM process. (c) Level scheme for the single atom in the dipole trap and electronic transition used for exciting the single atom.

four-wave mixing (FWM) in a cold atomic vapor.

As depicted in Fig. 1(a), we combine the generated single photons on a 50:50 beam splitter. If the two photons are compatible, the HOM effect will decrease the rate of coincident events at the outputs as compared to having two completely distinguishable photons.

Both sources generate single photons with a decaying exponential temporal envelope. For the SA source, the time constant is given by the natural linewidth of the transition [27], while for the FWM source it is determined by the optical density of the atomic ensemble [28, 29].

The timing characteristics of the two sources are determined by the generation processes. The FWM process generates photon pairs with Poissonian statistics, and we obtain a heralded single photon by detecting one photon of the pair [30–32], while the emission of a single photon from the single atom is triggered by an excitation pulse. The detection of the heralding photons from the FWM also serves as the trigger for the excitation pulse of the

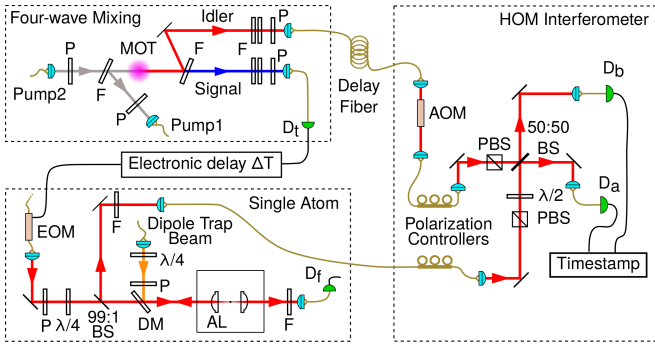


FIG. 2: (Color online) (Top left) Four-wave mixing setup: Pump 1 (795 nm) and Pump 2 (762 nm) are overlapped in a co-propagating geometry inside the cold cloud of ^{87}Rb atoms in a Magneto-Optical Trap (MOT), generating signal (776 nm) and idler (780 nm) photon pairs. The detection of a signal photon heralds the presence of a single photon in idler mode, and is used to trigger the excitation of the single atom. (Bottom left) Single atom setup: A ^{87}Rb atom is trapped in free space between two confocal aspheric lenses (AL; numerical aperture 0.55) with a far-off-resonant optical dipole trap ($\lambda = 980$ nm). After an adjustable delay time ΔT from the trigger, an electro-optic modulator (EOM) generates an optical pulse to efficiently excite the single atom. The presence of an atom in the trap is periodically checked using APD D_f . (Right) HOM interferometer: single photons from both sources interfere at a 50:50 beam splitter (BS). An acousto-optic modulator (AOM) matches the central frequencies of both photons. P: polarizer, F: interference filters, $\lambda/2$, $\lambda/4$: half- and quarter-wave plates, PBS: polarizing beam splitter, BS: non-polarizing beam splitter, D_a , D_b , D_f , D_t : avalanche photodetectors.

single atom source, effectively synchronizing the whole experiment.

III. EXPERIMENTAL SETUP

Figure 1(b) shows the FWM energy level scheme: two pump beams at 795 nm and 762 nm excite the atoms from $5S_{1/2}$, $F=2$ to the $5D_{3/2}$, $F=3$ level via a two photon transition. The detailed experimental setup is shown in Fig. 2. We separate time-correlated photon pairs with wavelengths 776 nm (signal) and 780 nm (idler) from the residual pump light using narrowband interference filters (bandwidth 3 nm FWHM, transmission $>90\%$). A pair of additional interference filters (same bandwidth and transmission) are used to suppress the residual pump light in each arm. The bandwidth of these filters is much larger than the bandwidth of the parametrically generated photons, so they do not affect the spectral envelope of the photons, which we subsequently collect into single mode fibers. The detection of a signal photon by an avalanche photodetector (APD) D_t heralds the presence of a single photon in the idler mode with a high fidelity [33]. The heralding efficiency of the FWM is $\approx 0.5\%$, including all losses and the limited efficiency of

the APD.

The SA source generates single photons by optically exciting the electronic transition of interest and collecting the consequent photon emitted by spontaneous decay [34]. A single atom is trapped at the focus of a far-off-resonant optical dipole trap (FORT) obtained by focusing a Gaussian beam ($\lambda = 980$ nm) to a waist of $1 \mu\text{m}$ using an aspheric lens (numerical aperture 0.55). Further details of the trapping are described in [27, 35]. The trapped atom undergoes molasses cooling and is optically pumped to the $5S_{1/2}$, $F=2$, $m_F=-2$ state. To ensure a sufficiently long coherence time of the prepared state, we apply a bias magnetic field of 2 gauss along the optical axis. After the atom is prepared in the initial state, it can be excited to $5P_{3/2}$, $F=3$, $m_F=-3$ [see Fig. 1(c)] by a short resonant optical pulse generated using a fast electro-optic modulator (EOM). The beams used for optical pumping and excitation are collinear with the dipole trap, and are focused onto the atom by the same aspheric lens. The excitation pulse duration $\tau_e = 3$ ns is much shorter than the excited state lifetime $\tau_s = 26$ ns, and its amplitude is set to maximize the excitation probability.

The aspheric lens is also used to collect the spontaneously emitted single photons. The collection mode is separated from the excitation mode using a 99:1 beam splitter and is then coupled into a single mode fiber. The overall generation, collection and detection efficiency is $\approx 0.5\%$. We periodically check for the presence of the atom in the FORT by monitoring fluorescence with detector D_f ; if the atom is lost, a new atom is loaded from a MOT.

The FWM setup is located in an adjacent room, approximately 15 m away from the rest of the setup. To allow sufficient time to generate and synchronize the excitation pulse for the SA source, the heralded photon from the FWM travels through a 230 m long fiber.

Both photons are launched into the two input ports of the HOM interferometer. A polarizing beam splitter in each input port transmits only horizontally polarized photons; a half-wave plate sets the relative polarizations of the photons incident on the non-polarizing 50:50 beam splitter. We measure a spatial mode overlap of $\approx 98\%$ between the two inputs. The output modes of the beam splitter are coupled into two single mode fibers connected to two APDs, D_a and D_b .

We measured the temporal envelope of the generated photons to estimate the expected visibility. We show these profiles in Fig. 3, together with the temporal profile of the pulse used to excite the single atom. For both sources the time profile is a decaying exponential described by:

$$\psi_i(t) = \sqrt{\frac{1}{\tau_i}} e^{-\frac{t-t_i}{2\tau_i}} \Theta(t-t_i) \quad \text{with } i = f, s, \quad (1)$$

where $\tau_{f,s}$ are the coherence times from FWM and SA sources respectively, t_s is the single atom excitation instant following a heralding event at t_f , and $\Theta(t)$ is the

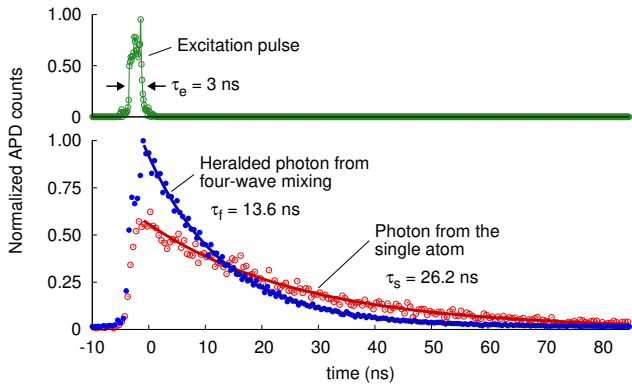


FIG. 3: (Color online) (Top) Temporal profile of the excitation pulse. (Bottom) Temporal profile of the single photons generated by the single atom (open circles) and four-wave mixing (filled circles) sources. The coherence times are obtained from exponential fits (solid lines).

Heaviside step function. For the single atom, we confirm $\tau_s = 26.18 \pm 0.11$ ns, corresponding to the natural linewidth of the transition. For the FWM source, $\tau_f = 13.61 \pm 0.73$ ns, where the uncertainty is mainly due to the drifting optical density of the atomic cloud.

In order to observe the HOM interference we also need to ensure that both photons have the same central frequency. The single atom experiences an AC Stark shift from the dipole trap and a Zeeman shift from a bias magnetic field, resulting in a detuning of $\delta_s = 76$ MHz from the natural transition frequency for the emitted photon. We compensate for this detuning by shifting the central frequency of the photon coming from the FWM using an acousto-optic modulator (AOM).

IV. DATA ANALYSIS

The HOM interference can be observed by comparing the probability of coincidence P between detectors D_a and D_b for interfering (P_{\parallel}) and non-interfering (P_{\perp}) photons. We adjust the relative polarizations of the input modes from parallel (interfering) to orthogonal (non-interfering) by rotating a half-wave plate. We estimate P using the coincidence detection rates. All detection events are timestamped with a temporal resolution of 125 ps. We offset the detection times of all detectors to account for the delays introduced by the electrical and optical delay lines, and we only consider a detection sequence valid if either D_a or D_b clicks within 85 ns of a trigger from D_t . We then sort the time delay between detection events Δt_{ab} into time bins of width 10 ns and normalize the distribution by dividing by the total number of trigger events N_t over the measurement time:

$$G(\Delta t_{ab}) = \frac{N_{ab|t}(\Delta t_{ab})}{N_t}. \quad (2)$$

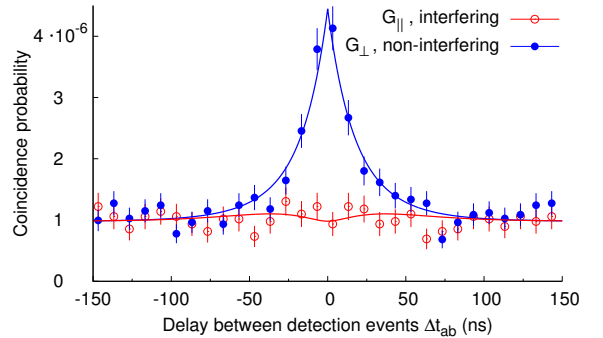


FIG. 4: (Color online) Coincidence probability between D_a and D_b for valid sequences measured at $\Delta T = 0$. The filled and open circles represent the cases where photons have perpendicular (non-interfering) and parallel (interfering) polarizations, respectively. The data is sorted into 10 ns wide time bins and normalized to the total number of trigger events N_t . For an integration window of $T_c = -25$ ns $\leq \Delta t_{ab} \leq 25$ ns, the interference visibility $V = 62 \pm 4\%$. The upper solid line represents $G_{\text{acc}} + A \cdot G_{\perp}(\Delta t_{ab})$ [see Eq. (5)], and the lower solid line represents $G_{\text{acc}} + A \cdot G_{\parallel}(\Delta t_{ab})$ [see Eq. (6)]. G_{acc} is a constant offset, while A is a scaling factor.

The measured G_{\perp} and G_{\parallel} are shown in Fig. 4. For $|\Delta t_{ab}| \lesssim 50$ ns, the coincidence probability for non-interfering photons increases significantly above the background at large $|\Delta t_{ab}|$, while it remains at an almost constant level for the interfering case. To quantify this observation, we define a visibility V for the HOM interferometer as:

$$V = 1 - P_{\parallel}/P_{\perp}, \quad (3)$$

where the probabilities P are obtained by a sum over the time bins within a coincidence window T_c :

$$V = 1 - \frac{\sum_{T_c} G_{\parallel}(\Delta t_{ab})}{\sum_{T_c} G_{\perp}(\Delta t_{ab})}. \quad (4)$$

The choice of T_c determines the influence of the accidental count rates on the visibility. Similar to what has been used in the past [23], we choose $T_c = -25$ ns $\leq \Delta t_{ab} \leq 25$ ns, a window long enough to include the longer of the two photon coherence times, resulting in $V = 62 \pm 4\%$.

V. THEORY - TIME ENVELOPE MATCHING

The probability of coincidence events for unit time $G(\Delta t_{ab})$ in the non-interfering case, i.e., photons with orthogonal polarization, is given by adding probabilities

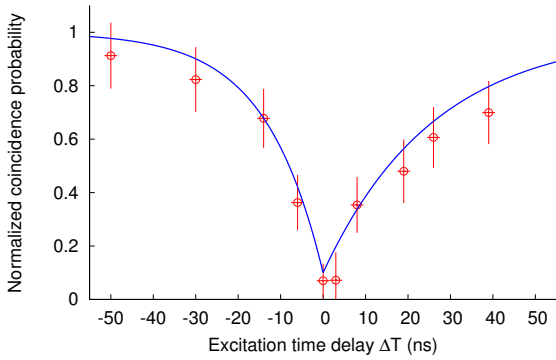


FIG. 5: (Color online) Normalized coincidence probability $P_{||}/P_{\perp} = 1 - V$, corrected for accidental coincidences, showing the ‘‘HOM dip’’. The solid line shows expected values obtained from Eq. (8).

for independent pair events:

$$G_{\perp}(\Delta t_{ab}) = \frac{1}{4} \int_{-\infty}^{\infty} |\psi_f(t) \psi_s(t + \Delta t_{ab})|^2 + |\psi_f(t + \Delta t_{ab}) \psi_s(t)|^2 dt. \quad (5)$$

When the two incident photons have identical polarizations, their pair amplitudes interfere (with the minus sign determined by one of the reflections on the beam splitter):

$$G_{||}(\Delta t_{ab}) = \frac{1}{4} \int_{-\infty}^{\infty} |\psi_f(t) \psi_s(t + \Delta t_{ab}) - \psi_f(t + \Delta t_{ab}) \psi_s(t)|^2 dt. \quad (6)$$

The total probability P is obtained by integrating over time: $P = \int G(\Delta t_{ab}) d(\Delta t_{ab})$. In the non-interfering case, as expected, we obtain $P_{\perp} = \frac{1}{2}$. In the interfering case, for $\Delta T = 0$, i.e., when the heralding time and the single atom excitation are synchronized, $P_{||} = \frac{(\tau_s - \tau_f)^2}{2(\tau_s + \tau_f)^2}$. Using these results, Eq. (3) reduces to:

$$V = \frac{4\tau_s\tau_f}{(\tau_s + \tau_f)^2}. \quad (7)$$

Using the measured values for τ_s and τ_f , we obtain an expected visibility of $90.0 \pm 1.5\%$. To properly compare it with the one measured experimentally, we choose a large integration window $T_c = -75 \text{ ns} \leq \Delta t_{ab} \leq 75 \text{ ns}$ and correct for accidental coincidences G_{acc} . We obtain a corrected visibility of $V = 93 \pm 6\%$, which is compatible with the expected value.

VI. HONG-OU-MANDEL DIP

We can also vary the degree of interference by changing the delay ΔT between the heralding time t_f and the single atom excitation time t_s . To maintain a constant rate of two photon events as we vary ΔT , T_c has to be much larger than maximum value of $|\Delta T|$ used in the experiment. As before, we choose $T_c = 150 \text{ ns}$ and subtract G_{acc} from the measured G_{\perp} and $G_{||}$.

In Fig. 5 we plot the ratio $P_{||}/P_{\perp}$, and observe the familiar HOM dip [1]. From Eqs. (5) and (6) we can derive the shape of the dip:

$$\frac{P_{||}}{P_{\perp}} = 1 - \frac{4\tau_s\tau_f e^{\Delta T/\tau}}{(\tau_s + \tau_f)^2} \text{ with } \begin{cases} \tau = -\tau_s & \text{if } \Delta T \geq 0 \\ \tau = \tau_f & \text{if } \Delta T < 0. \end{cases} \quad (8)$$

The dip is slightly asymmetric due to the different coherence times τ_f, τ_s in the asymmetric photon profiles in Eq. (1). Using Eq. (8) and the measured values for τ_f and τ_s , we obtain the solid line plotted in Fig. 5. Most of the measured points lie within one standard deviation of this line.

VII. CONCLUSION

In conclusion, we have observed HOM interference between a triggered single photon source based on a single ^{87}Rb atom, and a heralded single photon source based on four-wave mixing in a cold ^{87}Rb cloud.

These two sources, though based on the same atomic species, generate quantum light through two different processes. Without any spectral filtering, we observe a HOM visibility of $V = 62 \pm 4\%$. Correcting for accidental coincidences due to the limited collection efficiencies of the two sources, the measured visibility is $93 \pm 6\%$, a value compatible with the expected $90.0 \pm 1.5\%$.

The observed interference demonstrates the compatibility of the spectral and timing characteristics of our two sources. This is a fundamental requisite for the transfer of quantum information between the two, and ultimately for the realization of quantum networks to generate entanglement between separated nodes [36] made up of different physical systems.

Acknowledgments

We acknowledge the support of this work by the National Research Foundation (partly under grant No. NRF-CRP12-2013-03) & Ministry of Education in Singapore.

[1] C. K. Hong, Z. Y. Ou, and L. Mandel, Phys. Rev. Lett. **59**, 2044 (1987).

[2] R. Loudon, *The Quantum Theory of Light; 3rd ed.* (Ox-

- ford Univ. Press, Oxford, 2002).
- [3] H. J. Briegel, W. Dür, J. I. Cirac, and P. Zoller, *Phys. Rev. Lett.* **81**, 5932 (1998).
- [4] A. M. Dyckovsky and S. Olmschenk, *Phys. Rev. A* **85**, 052322 (2012).
- [5] H. M. Meyer, R. Stockill, M. Steiner, C. Le Gall, C. Matthiesen, E. Clarke, A. Ludwig, J. Reichel, M. Atatüre, and M. Köhl, *Phys. Rev. Lett.* **114**, 123001 (2015).
- [6] C. H. Bennett, G. Brassard, C. Crépeau, R. Jozsa, A. Peres, and W. K. Wootters, *Phys. Rev. Lett.* **70**, 1895 (1993).
- [7] D. Bouwmeester, J. Pan, K. Mattle, M. Daniell, A. Zeilinger, and H. Weinfurter, *Nature* **390**, 575 (1997).
- [8] F. De Martini, V. Bužek, F. Sciarrino, and C. Sias, *Nature* **419**, 815 (2002).
- [9] M. Żukowski, A. Zeilinger, M. A. Horne, and A. K. Ekert, *Phys. Rev. Lett.* **71**, 4287 (1993).
- [10] J.-W. Pan, D. Bouwmeester, H. Weinfurter, and A. Zeilinger, *Phys. Rev. Lett.* **80**, 3891 (1998).
- [11] J. G. Rarity, *Annals of the New York Academy of Sciences* **755**, 624 (1995).
- [12] H. de Riedmatten, I. Marcikic, W. Tittel, H. Zbinden, and N. Gisin, *Phys. Rev. A* **67**, 022301 (2003).
- [13] R. Kaltenbaek, B. Blauensteiner, M. Żukowski, M. Aspelmeyer, and A. Zeilinger, *Phys. Rev. Lett.* **96**, 240502 (2006).
- [14] T. Legero, T. Wilk, M. Hennrich, G. Rempe, and A. Kuhn, *Phys. Rev. Lett.* **93**, 070503 (2004).
- [15] J. Beugnon, M. P. A. Jones, J. Dingjan, B. Darquié, G. Messin, A. Browaeys, and P. Grangier, *Nature* **440**, 779 (2006).
- [16] J. Hofmann, M. Krug, N. Ortengel, L. Grard, M. Weber, W. Rosenfeld, and H. Weinfurter, *Science* **337**, 72 (2012).
- [17] C. Santori, D. Fattal, J. Vučković, G. S. Solomon, and Y. Yamamoto, *Nature* **419**, 594 (2002).
- [18] R. B. Patel, A. J. Bennett, I. Farrer, C. A. Nicoll, D. A. Ritchie, and A. J. Shields, *Nature Photonics* **4**, 632 (2010).
- [19] H. Bernien, L. I. Childress, L. Robledo, M. Markham, D. Twitchen, and R. Hanson, *Phys. Rev. Lett.* **108**, 043604 (2012).
- [20] A. Kiraz, M. Ehrl, T. Hellerer, Ö. E. Müstecaplıoğlu, C. Bräuchle, and A. Zumbusch, *Phys. Rev. Lett.* **94**, 223602 (2005).
- [21] R. Lettow, Y. L. A. Rezus, A. Renn, G. Zumofen, E. Ikonen, S. Götzinger, and V. Sandoghdar, *Phys. Rev. Lett.* **104**, 123605 (2010).
- [22] T. Chaneliere, D. N. Matsukevich, S. D. Jenkins, S. Y. Lan, R. Zhao, T. A. B. Kennedy, and A. Kuzmich, *Phys. Rev. Lett.* **98**, 113602 (2007).
- [23] P. Maunz, D. L. Moehring, S. Olmschenk, K. C. Younge, D. N. Matsukevich, and C. Monroe, *Nature Physics* **3**, 538 (2007).
- [24] C. Lang, C. Eichler, L. Steffen, J. M. Fink, M. J. Woolley, A. Blais, and A. Wallraff, *Nature Physics* **9**, 345 (2013).
- [25] S. V. Polyakov, A. Muller, E. B. Flagg, A. Ling, N. Borjemscaia, E. Van Keuren, A. Migdall, and G. S. Solomon, *Phys. Rev. Lett.* **107**, 157402 (2011).
- [26] A. R. McMillan, L. Labonté, A. S. Clark, B. Bell, and O. Alibart, *Scientific reports* **3**, 2032 (2013).
- [27] S. A. Aljunid, G. Maslennikov, Y. Wang, H. L. Dao, V. Scarani, and C. Kurtsiefer, *Phys. Rev. Lett.* **111**, 103001 (2013).
- [28] H. H. Jen, *J. Phys. B: At. Mol. Opt. Phys.* **45**, 165504 (2012).
- [29] B. Srivathsan, G. K. Gulati, B. Chng, G. Maslennikov, D. Matsukevich, and C. Kurtsiefer, *Phys. Rev. Lett.* **111**, 123602 (2013).
- [30] J. F. Clauser, *Phys. Rev. D* **9**, 853 (1974).
- [31] P. Grangier, G. Roger, and A. Aspect, *Europhys. Lett.* **1**, 173 (1986).
- [32] C. K. Hong and L. Mandel, *Phys. Rev. Lett.* **56**, 58 (1986).
- [33] G. K. Gulati, B. Srivathsan, B. Chng, A. Cerè, D. Matsukevich, and C. Kurtsiefer, *Phys. Rev. A* **90**, 033819 (2014).
- [34] B. Darquié, M. P. A. Jones, J. Dingjan, J. Beugnon, S. Bergamini, Y. Sortais, G. Messin, A. Browaeys, and P. Grangier, *Science* **309**, 454 (2005).
- [35] M. K. Tey, Z. Chen, S. A. Aljunid, B. Chng, F. Huber, G. Maslennikov, and C. Kurtsiefer, *Nature Physics* **4**, 924 (2008).
- [36] H. J. Kimble, *Nature* **453**, 1023 (2008).